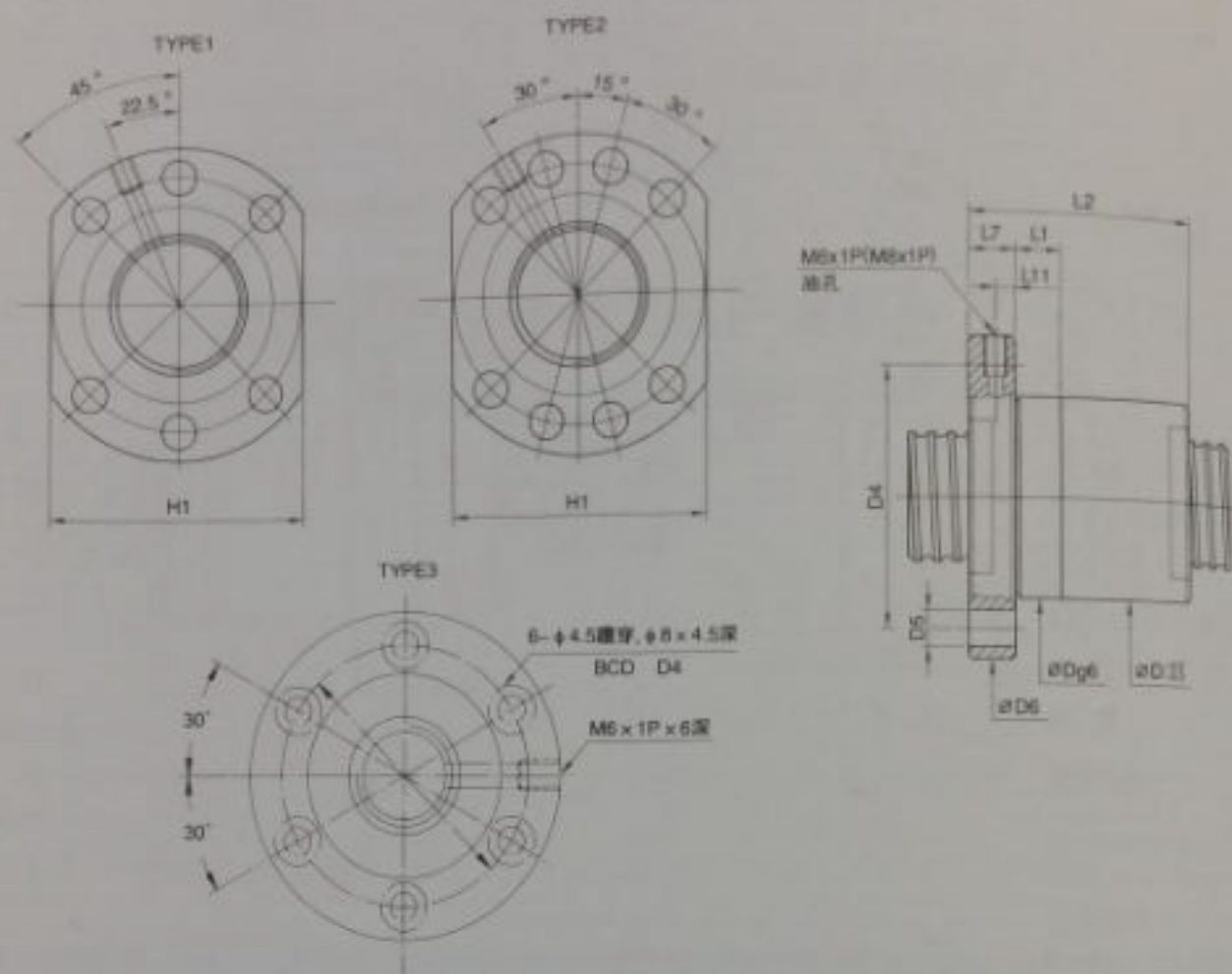


6、內循環—轉造滾珠螺桿標準庫存品 (常備庫存建議選用)

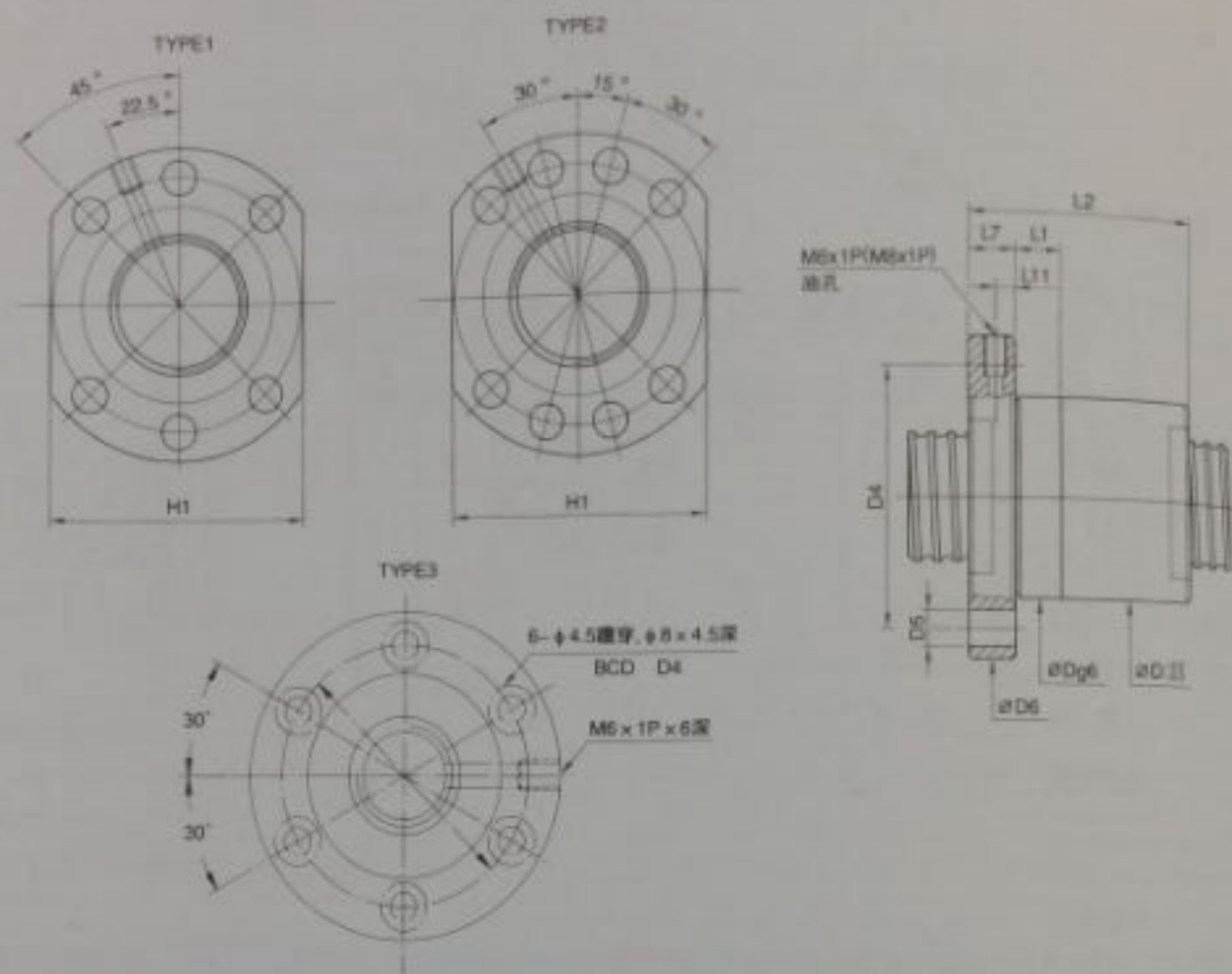
F S I TYPE (DIN 69051 part 5 from B)



型號	規格		珠徑	珠卷數	動負荷 C(kgf)	靜負荷 Co(kgf)	D6	D	H1	油孔	L11	L7	L2	TYPE	D5	D4	L1	螺桿 直徑
	外徑	導程																
12-4T3	12	4	2.381	3	331	559	44	24	/	M6x1P	5	10	40	3	/	34	/	9.792
16-4T3	16	4	2.381	3	390	744	45	25	/	M6x1P	5	10	40	3	/	35	/	13.227
16-5T3		5	3.175	3	731	1331	48	28	40	M6x1P	5	10	40	1	5.5	38	10	12.889
20-5T3	20	5	3.175	3	851	1767	58	36	44	M6x1P	5	10	44	1	6.6	47	10	16.924
25-5T3	25	5	3.175	3	971	2313	62	40	48	M6x1P	5	10	44	1	6.6	51	10	22.294
25-10T3		10	4.763	3	1591	3236	62	40	48	M6x1P	5	10	65	1	6.6	51	16	21.252
32-5T3	32	5	3.175	3	1117	3081	80	50	62	M6x1P	6	12	46	1	9	65	10	29.124
32-10T3		10	6.350	3	2538	5326	80	50	62	M6x1P	6	12	74	1	9	65	16	27.770
40-5T4	40	5	3.175	4	1598	5279	93	63	70	M8x1P	7	14	53	2	9	78	10	36.754
40-10T3		10	6.350	3	2652	5367	93	63	70	M8x1P	7	14	74	2	9	78	16	35.360
50-10T4	50	10	6.350	4	4350	12341	110	75	85	M8x1P	8	16	89	2	11	93	16	45.44
63-10T6	63	10	6.350	6	6886	23786	125	90	95	M8x1P	9	18	114	2	11	108	16	58.04

6、內循環—轉造滾珠螺桿標準庫存品 (常備庫存建議選用)

F S I TYPE (DIN 69051 part 5 from B)



型號	規格		珠徑	珠卷數	動負荷 C(kgf)	靜負荷 Co(kgf)	D6	D	H1	油孔	L11	L7	L2	TYPE	D5	D4	L1	螺桿 螺距
	外徑	導程																
12-4T3	12	4	2.381	3	331	559	44	24	/	M6x1P	5	10	40	3	/	34	/	9.792
16-4T3	16	4	2.381	3	390	744	45	25	/	M6x1P	5	10	40	3	/	35	/	13.227
16-5T3		5	3.175	3	731	1331	48	28	40	M6x1P	5	10	40	1	5.5	38	10	12.889
20-5T3	20	5	3.175	3	851	1767	58	36	44	M6x1P	5	10	44	1	6.6	47	10	16.924
25-5T3	25	5	3.175	3	971	2313	62	40	48	M6x1P	5	10	44	1	6.6	51	10	22.294
25-10T3		10	4.763	3	1591	3236	62	40	48	M6x1P	5	10	65	1	6.6	51	16	21.252
32-5T3	32	5	3.175	3	1117	3081	80	50	62	M6x1P	6	12	46	1	9	65	10	29.124
32-10T3		10	6.350	3	2538	5326	80	50	62	M6x1P	6	12	74	1	9	65	16	27.770
40-5T4	40	5	3.175	4	1598	5279	93	63	70	M8x1P	7	14	53	2	9	78	10	36.754
40-10T3		10	6.350	3	2652	5367	93	63	70	M8x1P	7	14	74	2	9	78	16	35.360
50-10T4	50	10	6.350	4	4350	12341	110	75	85	M8x1P	8	16	89	2	11	93	16	45.44
63-10T6	63	10	6.350	6	6886	23786	125	90	95	M8x1P	9	18	114	2	11	108	16	58.04